



MODEL:
**HRE200SS /
HRE300SS**

GAMA

INCLUDED IN THIS MANUAL:
General Information | Warranty | Safety
Installation Instructions | Maintenance
Replacement Parts | Operating Instructions
Remote Pairing Procedure





MODEL: **HRE200SS / HRE300SS**

The F/S Manufacturing Super Reel is designed to hold up to 75' of hose. Most models come standard with electric rewind motor and can be operated by a rocker switch or wireless key fob. For manual and emergency use, a manual crank handle is also provided.

GENERAL INFORMATION:

The purpose of this manual is to assist you in installing, operating, and maintaining your hose reel.



WARNING:

TO REDUCE THE RISK OF INJURY, THE USER MUST READ AND UNDERSTAND THE OPERATOR'S MANUAL BEFORE USING THIS PRODUCT.



WARNING:

CANCER AND REPRODUCTIVE HARM
WWW.P65WARNINGS.CA.GOV

WARRANTY:

PLEASE RETAIN A COPY OF YOUR RECEIPT FOR YOUR UNIT AS IT WILL BE REQUIRED TO VALIDATE ANY WARRANTY SERVICE. PRODUCTS ARE WARRANTED AGAINST MANUFACTURE DEFECTS FOR ONE YEAR FROM DATE OF PURCHASE.

TECHNICAL ASSISTANCE:

For technical assistance please call us at 701-281-1729 or 1-800-333-2314 and one of our technical support representatives will be happy to help you.

****READ THIS MANUAL CAREFULLY BEFORE INSTALLING, OPERATING OR SERVICING THIS EQUIPMENT****

PERSONAL SAFETY

PERSONAL INJURY AND/OR EQUIPMENT DAMAGE MAY RESULT IF PROPER SAFETY PRECAUTIONS ARE NOT OBSERVED

- Ensure reel is properly installed
- Remove pressure from system before servicing reel, remember that even low pressure can be dangerous
- If a leak occurs remove pressure immediately
- If the reel does not unwind or rewind verify system pressure has been removed and assess the situation. DO NOT pull or jerk on hose
- Treat and respect the hose reel as a dangerous piece of machinery and observe common safety practices.
- Do not place hands behind or inside provided chain safety guarded areas during operation.

CONTROL BOX INSTALLATION

****IN ORDER TO PREVENT SHIPPING DAMAGE, THE CONTROL BOX DOES NOT COME PREINSTALLED ON SOME REELS BUT IS ZIP TIED TO THE INTERIOR OF THE HOSE REEL DRUM WHERE IT IS BEST PROTECTED (Image1)****

TOOLS NEEDED

- 3/4" Wrench (2)
- 10mm Wrench

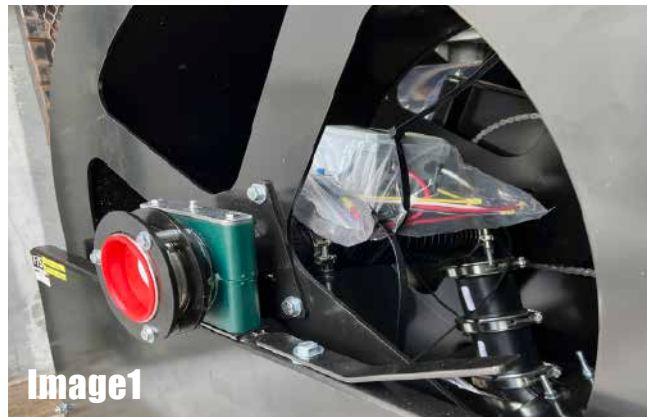


Image1



Image2



Image3



Image4



Image5

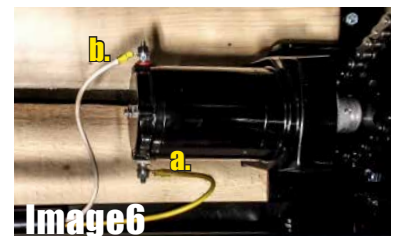


Image6

1. Cut zip ties & remove plastic wrap from the control box
2. Remove (2) 1/2" nuts & lock washers using both 3/4" wrenches on the left side of reel then remove left side roller (**Image2**)
3. Feed yellow & white wires from control box through hole in side panel (**Image3**)
4. Align Control Box & left side roller with 1/2" bolts then re-install lock washers and 1/2" nuts. Tighten with 3/4" wrenches (**Image4**)
5. Feed yellow & white wires through protective covering (**Image5**)
6. Using 10mm wrench attach yellow wire (**a.**) to negative (-) terminal on front of the motor & white wire (**b.**) to positive (+) terminal on the back of the motor (**Image6**)

INSTALLATION INSTRUCTIONS

ELECTRICAL

The controller has a limited input range of 10VDC to 15VDC. If at any point input voltage exceeds 15VDC irreparable damage will occur to the controller. Prior to connecting any external power source that will exceed 15VDC to the electrical circuit the controller should be disconnected from the power circuit. One power source that commonly provides OVER 15VDC would be a standard battery charger. If a battery charger is connected to the controller power circuit the controller MUST be disconnected.

- FOR BEST RESULTS SUPER REEL MUST BE CONNECTED DIRECTLY TO A BATTERY LOCATED WITHIN DISTANCE OF THE WIRES PROVIDED WITH THE CONTROLLER—WITHOUT EXTENDING THE WIRES
- If a direct power source is not available please provide power using the following wiring standards

DISTANCE FROM REEL TO BATTERY	WIRE GAUGE
0' - 20'	6 ga
21' - 30'	4 ga
31' - 50'	2 ga

- Connect RED wire to 12VDC (+)
- Connect BLACK wire to 12VDC (-)

MOUNTING

- HOSE REEL CAN NOT BE MOUNTED UPSIDE DOWN
- Choose a location that will properly support the entire hose reel frame. Take into account the weight of the reel, hose and liquid in the hose.
- There are 4 – 5/16" holes at the base of the frame for securing the Super Reel to a support system. They all MUST be used.
- Make sure hose reel is mounted square by measuring diagonally from corner to corner

INSTALLING INPUT HOSE

- Thread sealant should be used to avoid leaks
- We recommend installing a Flange x MPT fitting into the hose reel swivel, a Flange 90° sweep, and a Flange x Barb fitting to the supply hose. (Image1)
- To tighten the 90° sweep into swivel you must insert a screw driver into the slot on the swivel to prevent swivel from spinning as you tighten the 90° fitting. (Image2)



INSTALLING OUTPUT HOSE

- RIGID HOSE MUST BE USED, LAYFLAT HOSE WILL NOT PERFORM PROPERLY ON REEL.
- Determine the desired hose length to fit your application needs. The hose reel will fit 75' of hose but in order to achieve 75 feet it must be wound perfectly. Only install what you need in order to reach your destination plus an additional 10-15 feet (not to exceed 75'). Excess hose will decrease the flow capacity.
- Slide the hose onto the outlet hose reel barb fitting (Lubrication or heat may be needed)
- Install hose clamps on hose positioning clamps between the barbs on the hose barb.
- Install hose end and valve using the same procedure as above.

OPERATING INSTRUCTIONS

The Super Reel comes standard with 2 options for electric operation; a rocker switch or wireless key fob. The Super Reel is also equipped with a removable manual hand crank.

The controller has a limited input range of 10VDC to 15VDC. If at any point input voltage exceeds 15VDC irreparable damage will occur to the controller. Prior to connecting any external power source that will exceed 15VDC to the electrical circuit the controller should be disconnected from the power circuit. One power source that commonly provides OVER 15VDC would be a standard battery charger. If a battery charger is connected to the controller power circuit the controller **MUST** be disconnected.

CONTROL BOX (MUST BE HOOKED UP TO 12VOLT BATTERY)

- Attached to the metal mounting plate of the control box (**Image1**) is an external circuit breaker that also functions as a master on/off switch. The blue button will turn the power off (**Image2**) and the yellow switch will turn the power on (**Image3**). If the yellow switch is not put into the “on” position the control box will not have power to operate.
- When the hose reel will not be used for an extended period of time the control box should be powered off. Press the blue button on the circuit breaker to prevent the connected battery from draining. (**Image2**)
- In the event of a hose reel fault, use the master on/off switch to disconnect power to the control box for a system restart. Press the blue button to disconnect power, count to 30, and then turn the power on by resetting the yellow switch.
- The control box has built-in overload protection which eliminates the need for any physical fuse replacement. The overload protection is designed to stop the supply of power to the motor if the amount of force required to pull in the hose exceeds the safe operating limit or there is a motor fault. The overload protection built into the control box automatically resets when the physical load is removed from the hose reel.



UNWIND

- Do not pressurize the hose on the hose reel until the hose is pulled out to the desired length and attached to destination
- Using the electric motor to unwind the hose is not recommended.
- To unwind the hose, release the motor lock by pulling on the lock knob and turning the knob ¼ turn to allow the reel to turn freely. Turning the drum slightly with the manual crank handle may be required if there is pressure on the lock knob.
- Pull the hose out to the desired length • Attach hose to destination

REWIND-ELECTRIC MOTOR

- Shut off pump and make sure hose is not currently under pressure
- Unhook hose from destination
- When possible please allow the hose to drain before or during the rewinding of the hose to reduce the weight of the hose
- Engage the electric motor lock by turning the knob ¼ turn until it engages with the motor
- Start the electric motor with the rocker switch or the wireless key fob to rewind the hose.
- Stop winding the hose before your valve reaches the hose roller guides to prevent damage to Super Reel

REWIND-MANUAL

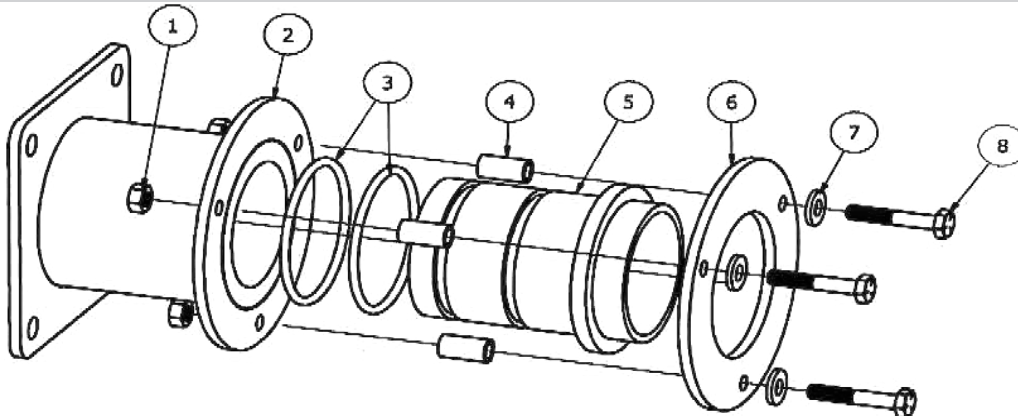
- Shut off pump and make sure hose is not currently under pressure
- Unhook hose from destination
- When possible please allow the hose to drain before or during the rewinding of the hose to reduce the weight of the hose
- Install the manual hand crank and keeper pin and rotate handle in counterclockwise direction
- Stop winding the hose before your valve reaches the hose roller guides to prevent damage to Super Reel

MAINTENANCE

BEFORE PERFORMING ANY MAINTENANCE PLEASE DISCONNECT POWER SOURCE & VERIFY PRESSURE HAS BEEN RELEASED

- Grease Super Reel after 20 hours of use or annually
 - Pillow Block Bearing (right side of reel/motor side)
 - Swivel Clamp (left side of reel/swivel side)
- Check chain tension after operating for 1 hour and then annually after that
- Oil Chain after 20 hours of use or annually
- Disassemble, clean and replace seals in swivel annually or as needed

COMMON REPLACEMENT PARTS



ITEM	QTY.	2" HOSE REEL PART#	3" HOSE REEL PART#	DESCRIPTION
1	3	HNRV 2 Z 025 20	HNRV 2 Z 025 20	¼ LOCK NUT
2	1	CHR1060-B	CHR1075-B	OUTSIDE SWIVEL ASSEMBLY
3	2	CHR1123	CHR1124	O - RING
4	3	RSA 025 0075 050	RSA 025 0075 050	SPACER
5	1	CHR1039	CHR1041	SWIVEL ADAPTER THREADED
6	1	CHR1012-B	CHR1030-B	BOLT PLATE
7	3	FWUSS Z 025	FWUSS Z 025	¼ FLAT WASHER
8	3	HB 5 Z 025 0150 020	HB 5 Z 025 0150 020	¼ X 1½ INCH BOLT

PART#	DESCRIPTION
CHR1093	Electric Motor
CHR1088-B	Manual Crank Handle
CHR1089	Complete 2" Swivel Assembly
CHR1092	Complete 3" Swivel Assembly
CHR1100	2" Swivel Clamp(Green Block Left Side)
CHR1101	3" Swivel Clamp(Green Block Left Side)
CHR1099-01-B	Complete Wireless Hose Reel Control, Remote Key Fob & Bracket

PART#	DESCRIPTION
CHR1191	Repair Kit For Hand Crank Shaft: • Keyed Shaft • Bushing • Flat Washer • Key Stock • Cotter Pin • Sprocket • Bridge Pin
CHR1121	Wireless Key Fob (Blue/Flip Cover)
HRMH2	Hose Reel Motor Handle/Release
CHR1086	2" Replacement Chain
CHR1087	3" Replacement Chain

PROGRAMMING INSTRUCTIONS

The following steps configure the control box to operate with a particular remote. More than one remote can be programmed to the control box.

****PLEASE READ THE ENTIRE PROGRAMMING PROCEDURE BEFORE STARTING. WHEN THE CONTROL BOX ENTERS PROGRAM MODE ALL PREVIOUS REMOTES THAT WERE PAIRED/PROGRAMMED WILL BE ERASED FROM THE CONTROL BOX'S MEMORY.****

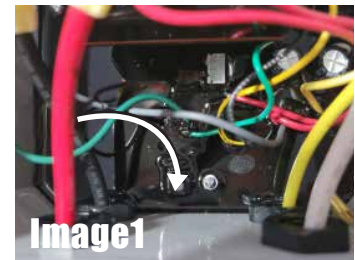


1. Locate the programming push button inside the control box (**Image1**). Press and hold this switch approximately 3 seconds until the red LED next to the program switch lights up then release the button.

The control box is now in remote pairing/programming mode.

At this point all previously programmed remote addresses are erased from the receiver's memory and you have only 4 seconds to complete step 2 before the control box exits pairing/programming mode and returns to normal operation.

2. Press and release either arrow button on the remote. The red program LED in the control box will blink on and off once. (**Image2**)
3. If you wish to pair/program additional remotes to the same control box you must press an arrow button on those remotes within 4 sec of doing the same on the previous remote.
4. The receiver will return to normal mode if no remote buttons are pressed for 5 seconds. The red LED on the control box will flash rapidly and then turn off. **The receiver is now in the normal mode of operation.**



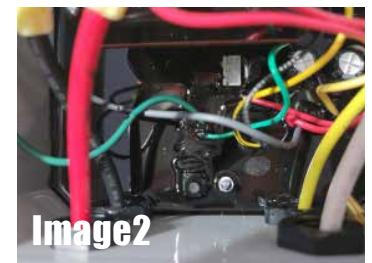
This completes the programming instructions. The receiver will retain all of its programming even when power is removed.

TROUBLESHOOTING

All Hose reel control boxes and remotes are paired/programmed and 100% functionally tested prior to shipment. If your RF remote control system does not work out of the box, stops working or functions intermittently please take the following steps to resolve common issues.

****OPERATING THE REMOTE WITHIN 2 FEET OF THE CONTROL BOX MAY RESULT IN NO OPERATION OR INTERMITTENT OPERATION. IT IS BEST TO OPERATE THE HOSE REEL USING THE TOGGLE SWITCH MOUNTED ON THE CONTROL BOX WHEN IN CLOSE PROXIMITY TO THE REEL.****

1. Check that the 12V battery connections to the external circuit breaker and to the control box are secure and battery is fully charged.
2. Check that the external circuit breaker is set to the “ON” position (Image1).
3. Check the voltage supply at the control box. Voltage across the (+) and (-) terminals in the control box should be within 10-15VDC.
4. Listen and look for functionality in the control box. The LED that is used for programming the system will illuminate when the control box is activated (Image2). You will also hear a “click” when the internal relays engage. If you can see the LED illuminate and you hear the relay “click” the issue is most likely in the wiring or the hose reel motor.



If the toggle switch mounted on the control box operates the reel but the remote does not...

5. **Replace the A23 12V Battery in the remote.** The remote control can activate during shipping and drain the battery that is installed in the remote. We send a replacement battery with the system in case this occurs.
6. **Reprogram the remote control.** If the remote is still non-functional try to reprogram the remote control. The program may not have taken during the initial programming process or the program button inside the control box may have been accidentally pressed. If the program button is pressed the memory of the remote controls programmed to the receiver are erased. (See the “Programming Instructions”)

TECHNICAL ASSISTANCE:

For technical assistance please call 701-281-1729 or 1-800-333-2314 and one of our technical support representatives will be happy to help you.



1102 Center Street
West Fargo, ND 58078
1-800-333-2314
www.fsmfg.com