

Original Instruction Manual

KEEP FOR FUTURE REFERENCE



**9303C, 9303S, 9303C-SP & 9303S-SP
Cast Iron & Stainless Steel Series
Centrifugal Pumps
9303P
Polypropylene Series
Centrifugal Pumps**

Pentair

375 5th Ave., New Brighton, MN 55112

Phone: (651)766-6300 -OR- 800-424-9776 Fax: 800-323-6496

www.hypropumps.com

EU Authorized Representative:

EC	REP
----	-----

 QNET BV Hommerterweg 286
6436 AM Amstenrade, The Netherlands
KvK Zuid-Limburg 14091511

Contents

EU Language	3
Introduction.....	4
Description.....	4
Intended Uses.....	4
Purpose of Manual.....	4
Misuses.....	4
Pump Identification.....	5
Pump Technical Data.....	5
Fluid Pumping Applications.....	12
Tools.....	12
Lifting, Transport, and Intermediate Storage.....	12
Assembly and Installation.....	13
Assembly.....	13
Installation.....	13
Plumbing Diagram.....	14
Commissioning, Start-Up, Operation, Shutdown.....	16
Information.....	16
Start-Up, Operation, Shutdown.....	16
Maintenance and Servicing.....	18
Information.....	18
Disposal.....	18
Cleaning.....	18
Maintenance, Routine Servicing, and Inspection.....	18
Troubleshooting.....	19
Replacement Parts.....	20
Declaration of Incorporation.....	23
Warranty	Last page

EU Languages

DO NOT attempt to install or operate your pump before reading the manual. Original copies of the manual for Hypro pumps are provided in English. To find a copy in your native language, go to www.hypropumps.com.

Vor dem Ablesen des Handbuches versuchen Sie NICHT, Ihre Pumpe zu installieren. Originale des Handbuches für Hypro-Pumpen werden auf englisch zur Verfügung gestellt. Zu eine Kopie in Ihrer Muttersprache finden, zu www.hypropumps.com zu gehen (German)

N'essayez pas d'installer votre pompe avant de lire le manuel. Des exemplaires originaux du manuel pour des pompes de Hypro sont fournis en anglais. Pour trouver une copie dans votre langue maternelle pour aller a www.hypropumps.com (French)

NON tentare di installare la vostra pompa prima di leggere il manuale. Esempio originale del manuale per Hypro pompe sono in inglese. Per trovare una copia nella vostra lingua andare a www.hypropumps.com (Italian)

Не пытайтесь установить ваш насос до чтения руководства. Оригинальные копии этого руководства для насосы Hypro на английском языке. Найти копию на ваш родной язык перейти к www.hypropumps.com (Russian)

NO intente instalar su bomba antes de leer el manual. Copias originales del manual para Hypro se provee de bombas en ingles. Para encontrar una copia en tu idioma nativo ir a www.hypropumps.com (Spanish)

NIE próbować instalować pompy przed jej odczytaniem instrukcji. Oryginalne kopie instrukcji obsługi pomp Hypro są dostarczane w języku angielskim. Aby uzyskać kopię w twoim ojczystym języku przejdź do www.hypropumps.com (Polish)

Takmaya çalışmayın okumadan önce pompanın manuel. Orijinal kopyalarını Hypro pompaları için İngilizce olarak sunulmuştur. Bir kopyasını bulmak için yerel dil git www.hypropumps.com (Turkish)

Nao tente instalar a bomba antes de ler o manual. As copias originais dos manuais para Hypro bombas sao fornecidos em Ingles. Para encontrar uma copia em sua lingua nativa ir para www.hypropumps.com (Portuguese)

VERGEET NIET uw pomp voor het lezen van het handboek. Exemplaren van de handleiding voor Hypro pompen zijn beschikbaar in het Engels. Op zoek naar een exemplaar in uw eigen taal ga naar www.hypropumps.com (Dutch)

Introduction

Description

Hypro centrifugal pumps are designed for creating and boosting pressure in fluid circuits. The pump operates by taking in fluid from the inlet port after which it is slung by the impeller and expelled through the outlet port. Construction features include housings, impellers and seals which come in a variety of materials in order to be resistant to a range of chemicals. Standard models of centrifugal pumps rotate clockwise, when looking at the shaft end of the pump.

Intended Uses

Hypro centrifugal pumps are intended for creating or boosting dynamic pressure in approved fluids. Hypro centrifugal pumps should never be used to pump liquids above 140°F (60°C), or below 34°F (1°C). For pumps equipped with hydraulic motors, the pump should not be run if the hydraulic oil temperature exceeds 135°F (57°C). Any uses outside of those specified in this manual are considered misuses and are prohibited. Contact Hypro technical service with any questions regarding specific acceptable uses.

Purpose of Manual

This manual provides instructions and requirements that must be met when installing, using and maintaining the product(s) identified on the cover.

If the product is sold, the seller must pass this manual onto the new owner.

The following special attention notices are used to notify and advise the user of this product of procedures that may be dangerous to the user or result in damage to the product.

ATTENTION

Attention is used to notify of installation, operation, or maintenance information that is important but not safety related.



This symbol is used to denote the presence of an electrical hazard that will result in personal injury, death or property damage.



This symbol is used to denote the presence of a hazard that will result in personal injury, death or property damage.

California Proposition 65 Warning -- This product and related accessories contain chemicals known to the State of California to cause cancer, birth defects or other reproductive harm.

Misuses

Hypro centrifugal pumps are designed to operate effectively within the specified speed, pressure and environmental ranges. Going outside of these ranges will void the warranty and could cause damage to property, serious injury, or death.

- **DO NOT** run the pump faster than the maximum specified speed.
- **DO NOT** run the pump higher than the maximum specified pressure.
- **DO NOT** run pumps when the liquid has exceeded the maximum or minimum temperature limit (see Intended Uses).
- **DO NOT** pump non-approved liquids.
- **DO NOT** pump water or other liquids for human consumption.
- **DO NOT** operate any Hypro pump under the influence of drugs or alcohol.
- **DO NOT** run the pump dry.
- **DO NOT** run the pump with a higher than recommended voltage.
- **DO NOT** run the pump hydraulic motor higher than the specified RPM, pressure or flow.

Pump Identification

Hypro uses serialized labeling to enable users to precisely identify the pump's manufacturing date.

Serial Number:

First and second digits: year (14 = 2014)

Third through fifth digits: consecutive day of the year the pump was manufactured.

Sixth through tenth digits: unique pump serial number.

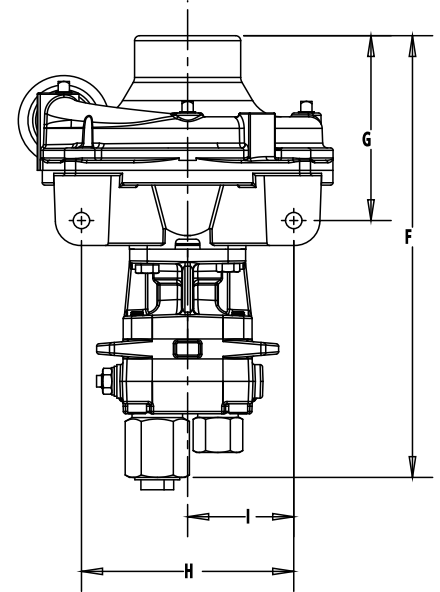
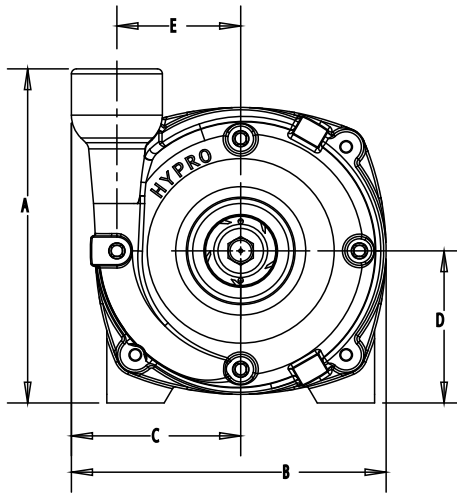
Pump Technical Data

(All specifications and performance data are based on water as a carrier fluid.)

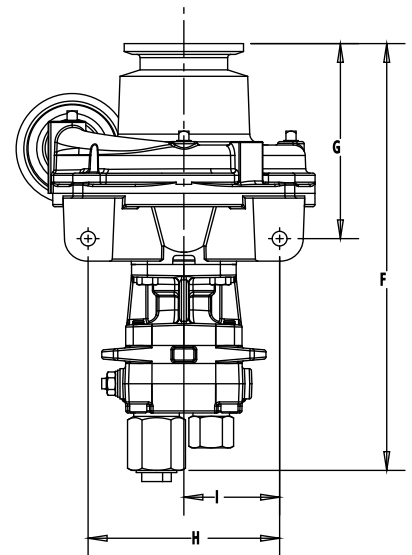
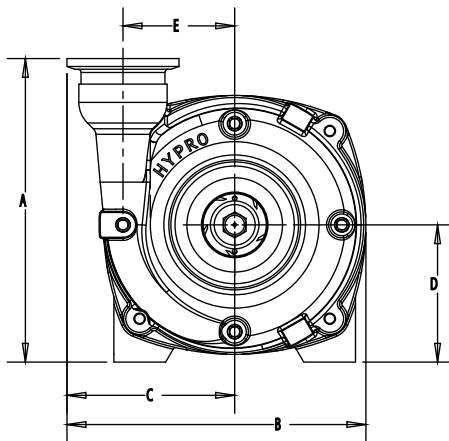
9303C(S) - HM1C, HM2C, HM3C, HM4C and HM5C

9303C(S) - HM1C-U, HM2C-U, HM3C-U, HM4C-U and HM5C-U

Pump Dimensions			
	Dim.	Inch	mm
HM1,2,3,4,5	A	8.37	212.6
	B	7.78	197.6
	C	4.19	106.4
	D	3.81	96.8
	E	3.06	77.7
HM1C	F	11.07	281.2
HM2C	F	10.82	274.8
HM3C	F	11.57	293.9
HM4C	F	10.92	277.4
HM5C	F	11.19	284.2
HM1,2,3,4,5	G	4.63	117.6
	H	5.25	133.4
	I	2.63	66.8



Pump Dimensions			
	Dim.	Inch	mm
HM1,2,3,4,5	A	8.43	214.1
	B	8.19	208.0
	C	4.60	116.8
	D	3.81	96.8
	E	3.06	77.7
HM1C-U	F	11.86	301.2
HM2C-U	F	11.98	304.3
HM3C-U	F	12.36	313.9
HM4C-U	F	11.98	304.3
HM5C-U	F	12.29	312.2
HM1,2,3,4,5	G	5.42	137.7
	H	5.25	133.4
	I	2.63	66.8

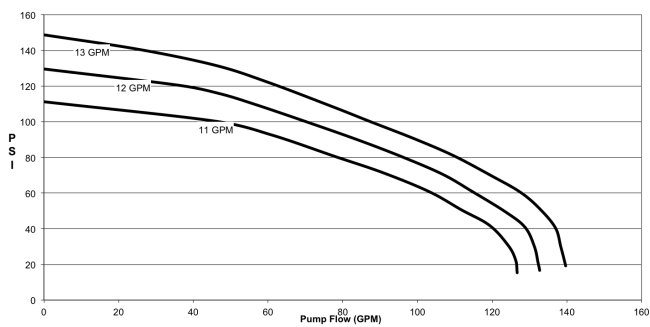


Pump Technical Data

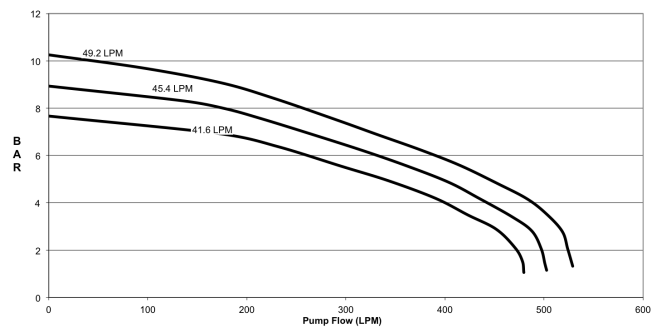
Pump	Hydraulic Max (PSI) [BAR]	Max Flow Rate (GPM) [LPM]	Max Pressure (PSI) [BAR]	Max Hyd. Flow (GPM) [LPM]	Ports	Hydraulic Ports	Dry Weight	Mounting Bolts
9303C-HM1C	3000 [206.8]	114 [431.5]	130 [9]	13 [49.2]	1-1/2" NPT Inlet 1-1/4" NPT Outlet	1/2" NPT Inlet 3/4" NPT Outlet	26lbs [11.8kg]	2X 3/8" OR M10
9303C-HM2C		97 [367.2]	95 [6.5]	6 [22.7]				
9303C-HM3C		125 [473.1]	98 [6.8]	24 [90.8]				
9303C-HM4C		115 [435.3]	93 [6.4]	7 [26.5]				
9303C-HM5C		147 [556.5]	145 [10]	16 [60.6]				
9303S-HM1C		114 [431.5]	130 [9]	13 [49.2]				
9303S-HM2C		97 [367.2]	95 [6.5]	6 [22.7]				
9303S-HM3C		125 [473.1]	98 [6.8]	24 [90.8]				
9303S-HM4C		115 [435.3]	93 [6.4]	7 [26.5]				
9303S-HM5C		147 [556.5]	145 [10]	16 [60.6]				

Pump	Hydraulic Max (PSI) [BAR]	Max Flow Rate (GPM) [LPM]	Max Pressure (PSI) [BAR]	Max Hyd. Flow (GPM) [LPM]	Ports	Hydraulic Ports	Dry Weight	Mounting Bolts
9303C-HM1C-U	3000 [206.8]	114 [431.5]	130 [9]	13 [49.2]	220 X 200 Universal Flange	1/2" NPT Inlet 3/4" NPT Outlet	26lbs [11.8kg]	2X 3/8" OR M10
9303C-HM2C-U		97 [367.2]	95 [6.5]	6 [22.7]				
9303C-HM3C-U		125 [473.1]	98 [6.8]	24 [90.8]				
9303C-HM4C-U		115 [435.3]	93 [6.4]	7 [26.5]				
9303C-HM5C-U		147 [556.5]	145 [10]	16 [60.6]				
9303S-HM1C-U		114 [431.5]	130 [9]	13 [49.2]				
9303S-HM2C-U		97 [367.2]	95 [6.5]	6 [22.7]				
9303S-HM3C-U		125 [473.1]	98 [6.8]	24 [90.8]				
9303S-HM4C-U		115 [435.3]	93 [6.4]	7 [26.5]				
9303S-HM5C-U		147 [556.5]	145 [10]	16 [60.6]				

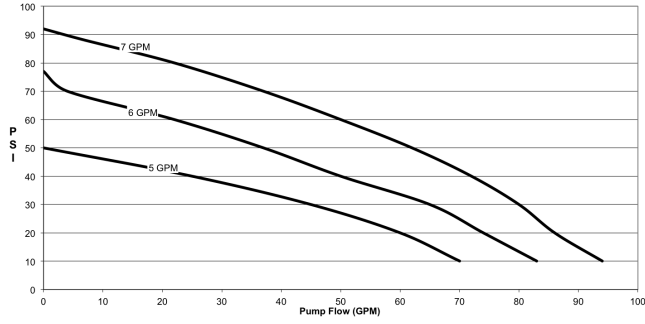
9303C-HM1C & 9303C-HM1C-U
9303S-HM1C & 9303S-HM1C-U



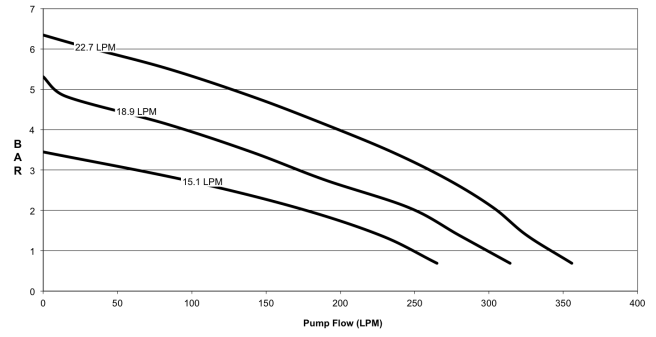
9303C-HM1C & 9303C-HM1C-U
9303S-HM1C & 9303S-HM1C-U
METRIC



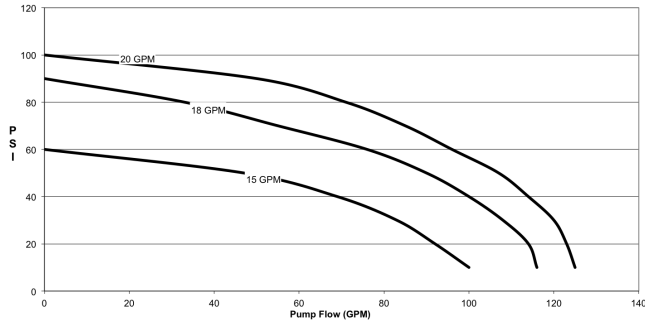
9303C-HM2C & 9303C-HM2C-U
9303S-HM2C & 9303S-HM2C-U



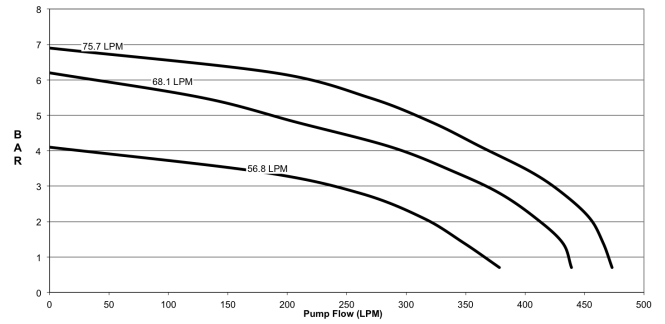
9303C-HM2C & 9303C-HM2C-U
9303S-HM2C & 9303S-HM2C-U
METRIC



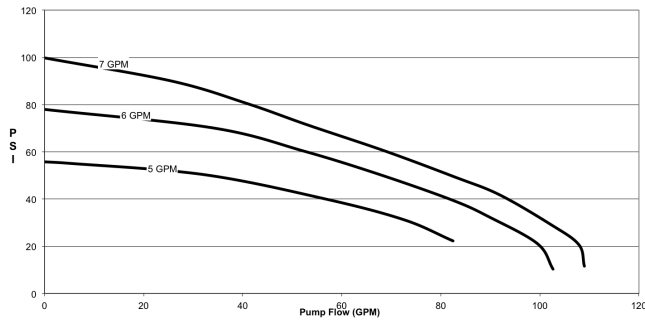
9303C-HM3C & 9303C-HM3C-U
9303S-HM3C & 9303S-HM3C-U



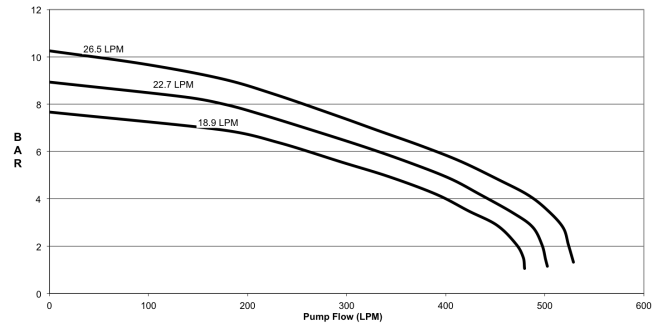
9303C-HM3C & 9303C-HM3C-U
9303S-HM3C & 9303S-HM3C-U
METRIC



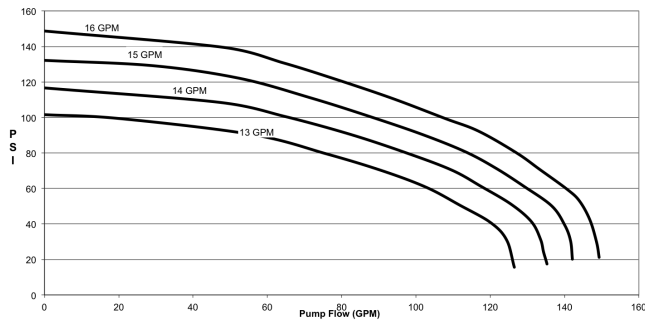
9303C-HM4C & 9303C-HM4C-U
9303S-HM4C & 9303S-HM4C-U



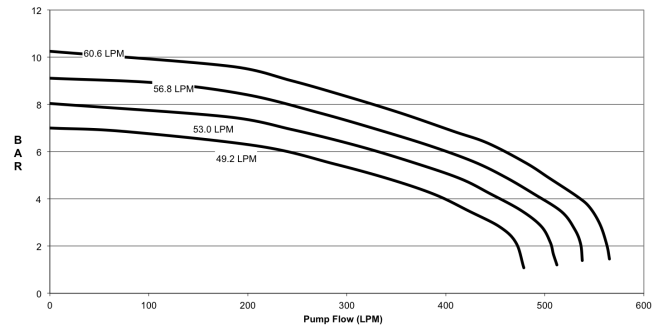
9303C-HM4C & 9303C-HM4C-U
9303S-HM4C & 9303S-HM4C-U
METRIC



9303C-HM5C & 9303C-HM5C-U
9303S-HM5C & 9303S-HM5C-U



9303C-HM5C & 9303C-HM5C-U
9303S-HM5C & 9303S-HM5C-U
METRIC

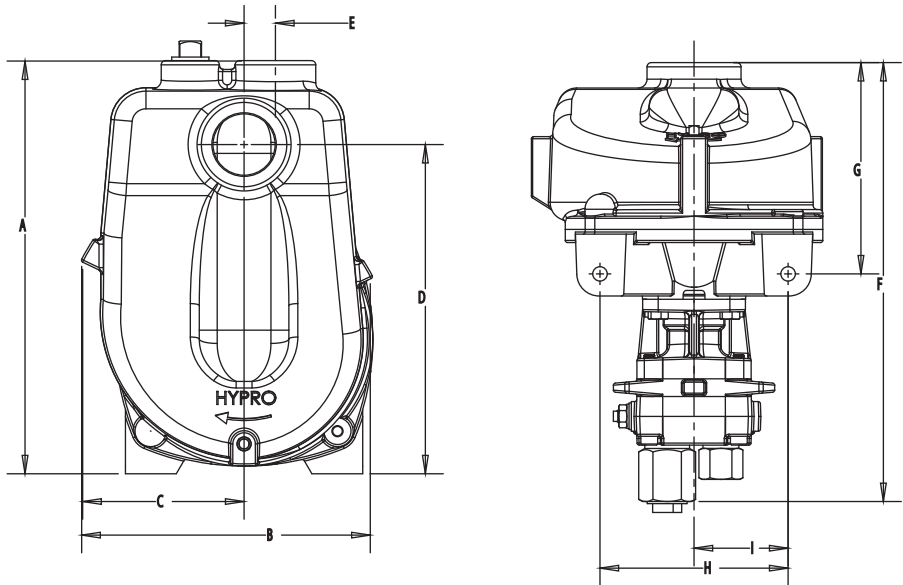


Pump Technical Data

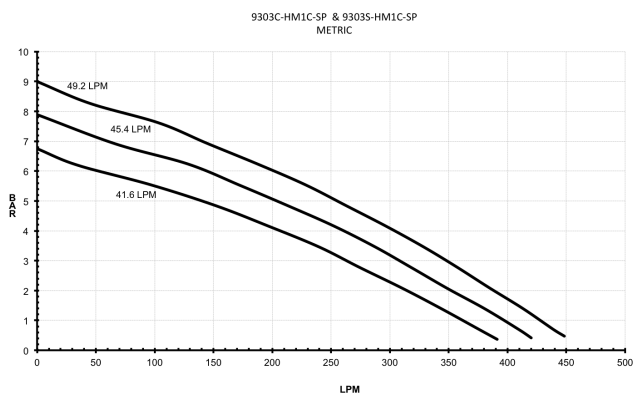
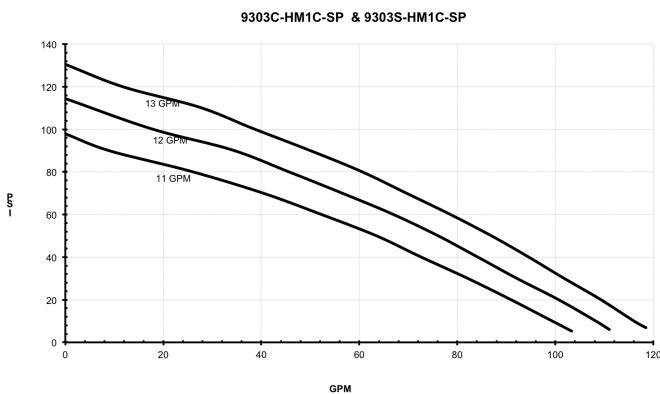
(All specifications and performance data are based on water as a carrier fluid.)

9303C(S)-SP HM1C, HM2C, HM3C, HM4C and HM5C

Pump Dimensions			
	Dim.	Inch	mm
HM1,2,3,4,5	A	11.69	296.8
	B	8.07	205.0
	C	4.48	113.8
	D	9.31	263.5
	E	0.88	22.2
HM1C	F	12.41	315.2
HM2C	F	12.17	309.1
HM3C	F	12.92	328.2
HM4C	F	12.22	310.4
HM5C	F	12.54	318.5
HM1,2,3,4,5	G	5.98	151.8
	H	5.25	133.4
	I	2.63	66.7

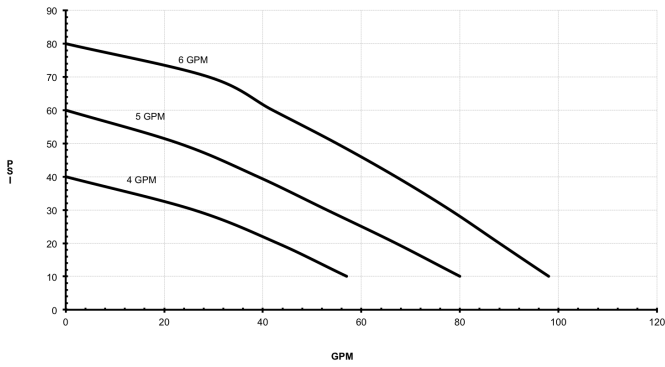


Pump	Hydraulic Max (PSI) [BAR]	Max Flow Rate (GPM) [LPM]	Max Pressure (PSI) [BAR]	Max Hyd. Flow (GPM) [LPM]	Ports	Hydraulic Ports	Dry Weight	Mounting Bolts
9303C-HM1C-SP	3000 [206.8]	122 [461.8]	130 [9]	13 [49.2]	1-1/2" NPT Inlet 1-1/4" NPT Outlet	1/2" NPT Inlet 3/4" NPT Outlet	38lbs [17.3kg]	3/8" OR M10
9303C-HM2C-SP		104 [393.7]	80 [5.5]	6 [22.7]				
9303C-HM3C-SP		120 [454.2]	95 [6.5]	24 [90.8]				
9303C-HM4C-SP		99 [374.8]	97 [6.7]	7 [26.5]				
9303C-HM5C-SP		140 [530]	140 [9.7]	16 [60.6]				
9303S-HM1C-SP		114 [431.5]	130 [9]	13 [49.2]				
9303S-HM2C-SP		97 [367.2]	95 [6.5]	6 [22.7]				
9303S-HM3C-SP		125 [473.1]	98 [6.8]	24 [90.8]				
9303S-HM4C-SP		115 [435.3]	93 [6.4]	7 [26.5]				
9303S-HM5C-SP		147 [556.5]	145 [10]	16 [60.6]				

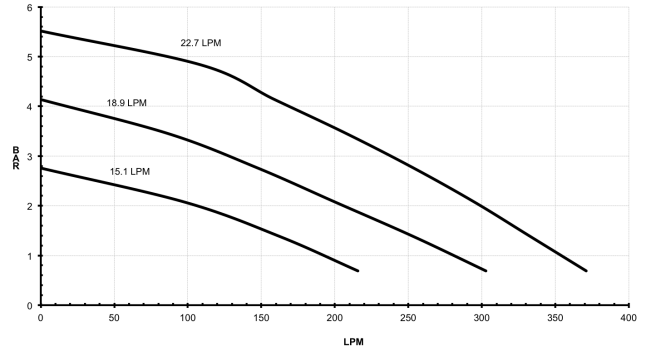


Pump Technical Data

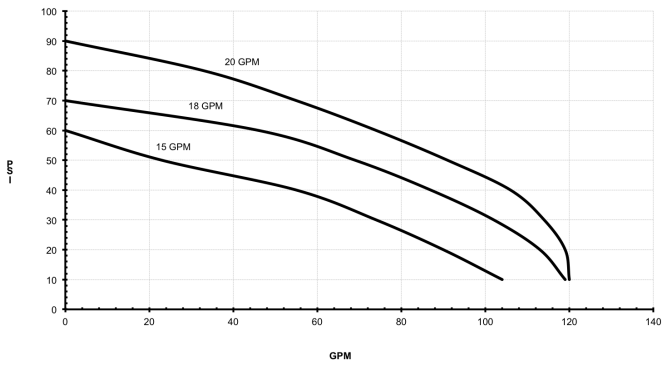
9303C-HM2C-SP & 9303S-HM2C-SP



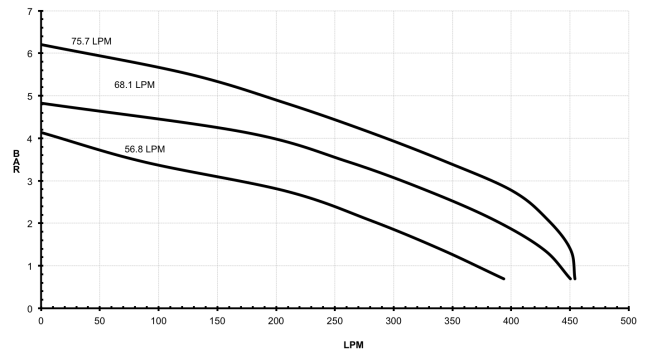
9303C-HM2C-SP & 9303S-HM2C-SP
METRIC



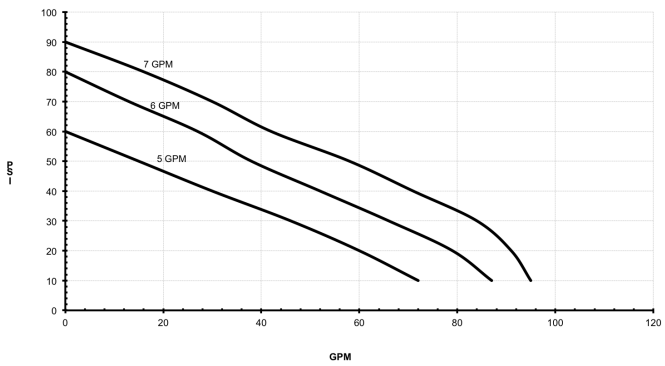
9303C-HM3C-SP & 9303S-HM3C-SP



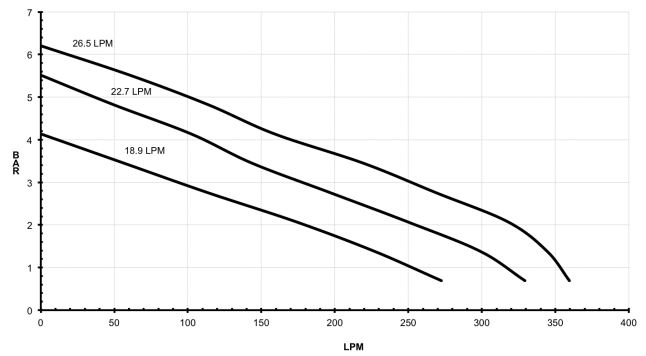
9303C-HM3C-SP & 9303S-HM3C-SP
METRIC



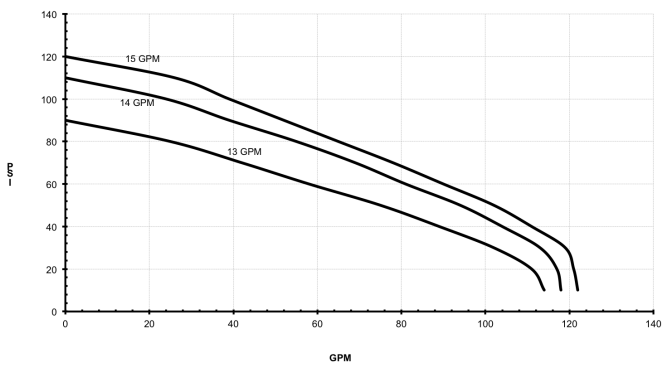
9303C-HM4C-SP & 9303S-HM4C-SP



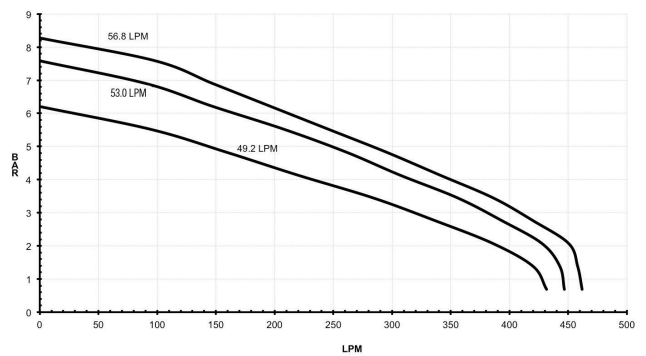
9303C-HM4C-SP & 9303S-HM4C-SP
METRIC



9303C-HM5C-SP & 9303S-HM5C-SP



9303C-HM5C-SP & 9303S-HM5C-SP
METRIC



Pump Identification

Hypro uses serialized labeling to enable users to precisely identify the pump's manufacturing date.

Serial Number:

First and second digits: year (14 = 2014)

Third through fifth digits: consecutive day of the year the pump was manufactured.

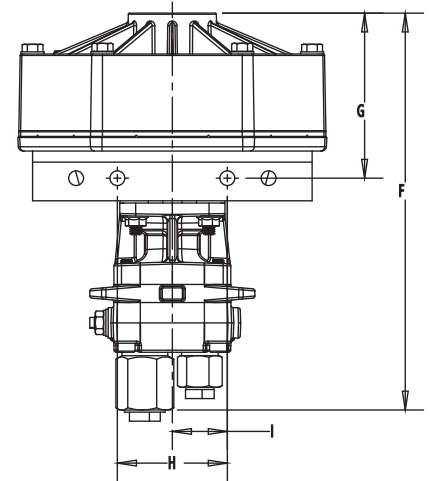
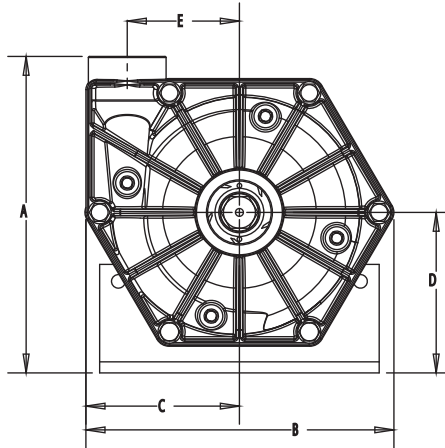
Sixth through tenth digits: unique pump serial number.

Pump Technical Data

(All specifications and performance data are based on water as a carrier fluid.)

9303P - HM1C, HM2C, HM3C, HM4C, HM5C

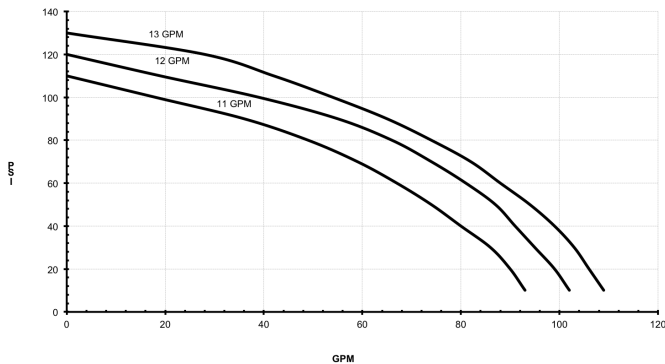
Pump Dimensions			
	Dim.	Inch	mm
HM1,2,3,4,5	A	8.75	222.2
	B	8.33	211.7
	C	4.12	104.6
	D	4.44	112.7
	E	3.06	77.7
HM1	F	10.97	278.6
HM2	F	10.72	272.3
HM3	F	10.47	291.3
HM4	F	10.77	273.6
HM5	F	10.10	256.5
HM1,2,3,4,5	G	4.56	115.9
	H	3.00	76.2
	I	1.50	38.1



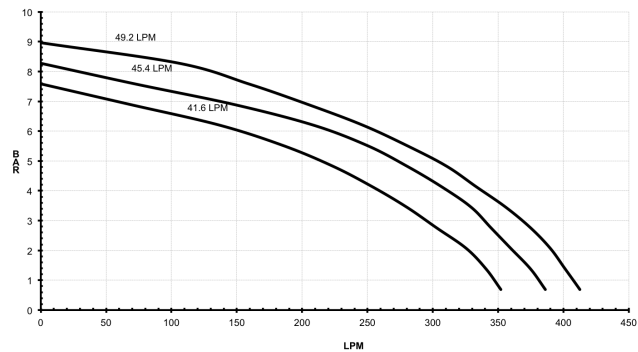
Pump Technical Data

Pump	Hydraulic Max (PSI) [BAR]	Max Flow Rate (GPM) [LPM]	Max Pressure (PSI) [BAR]	Max Hyd. Flow (GPM) [LPM]	Ports	Hydraulic Ports	Dry Weight	Mounting Bolts
9303P-HM1C	3000 [206.8]	110 [416.4]	130 [8.9]	13 [49.2]	1-1/2" NPT Inlet 1-1/4" NPT Outlet	1/2" NPT Inlet 3/4" NPT Outlet	21lbs [935kg]	4X 3/8" OR M10
9303P-HM2C		82 [310.4]	95 [6.5]	6 [22.7]				
9303P-HM3C		110 [416.4]	93 [9.4]	24 [90.8]				
9303P-HM4C		82 [310.4]	84 [5.8]	7 [26.5]				
9303P-HM5C		113 [427.7]	120 [8.2]	16 [60.5]				

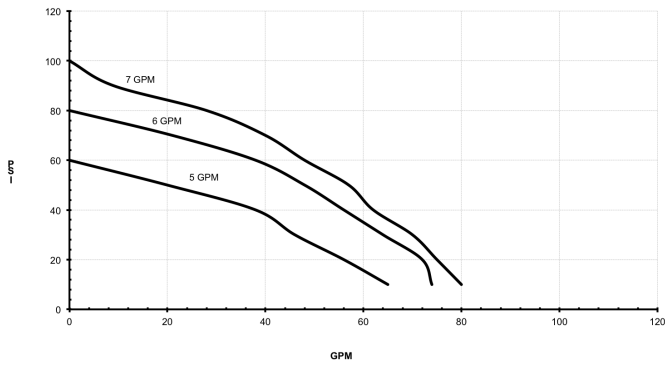
9303P-HM1C



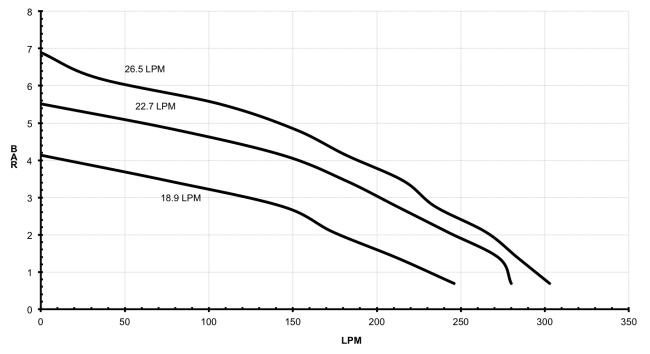
9303P-HM1C METRIC



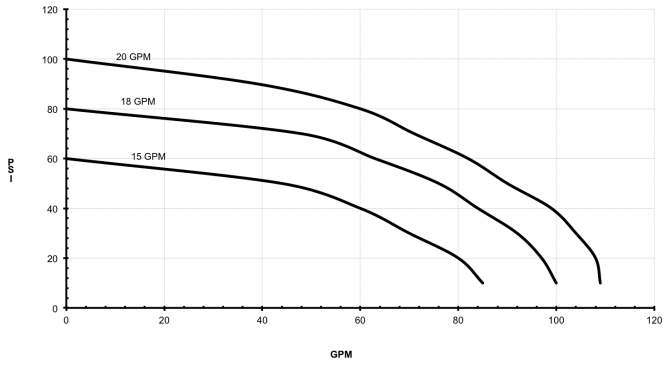
9303P-HM2C



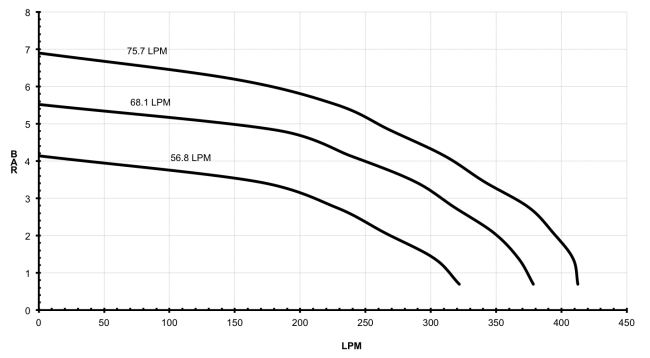
9303P-HM2C METRIC



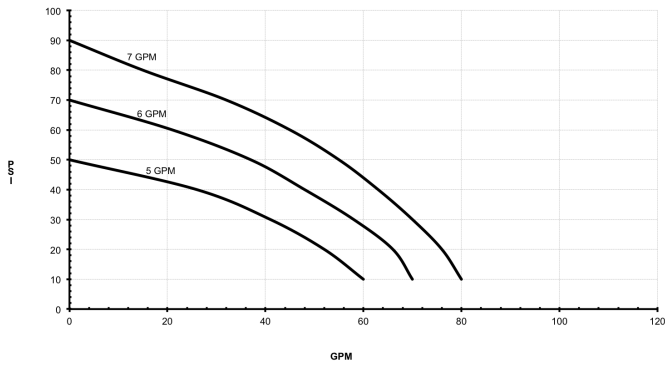
9303P-HM3C



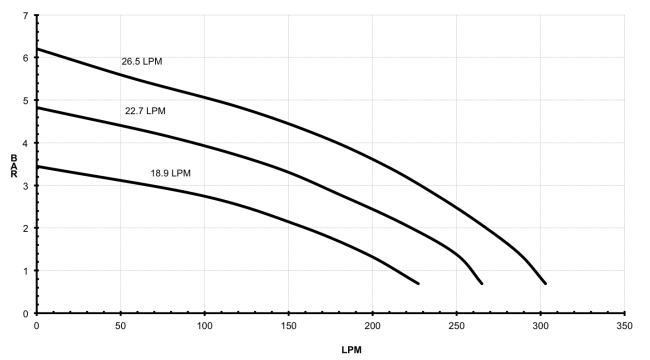
9303P-HM3C METRIC



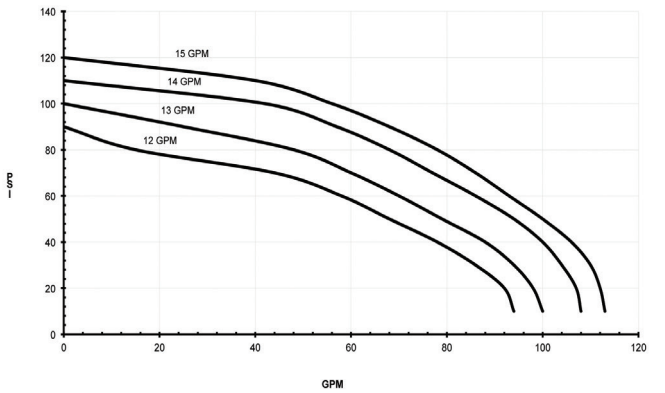
9303P-HM4C



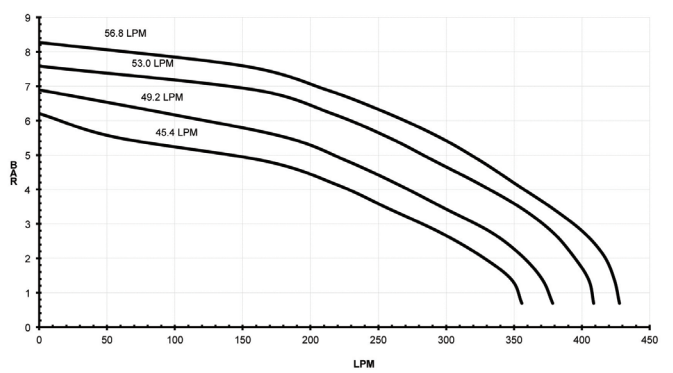
9303P-HM4C METRIC



9303P-HM5C



9303P-HM5C METRIC



Fluid Pumping Applications

Application	Pump Materials Compatibility							
	Impeller			Pump Housing			Seal	
	Nylon	Polypropylene	GTX	Stainless	Polypropylene	Cast Iron	Ceramic	Silicon Carbide
Weed Control Chemicals	X	X	X	X	X	X	X	X
Insect Control	X	X	X	X	X	X	X	X
Brush Control	X	X	X	X	X	X	X	X
Pest Control Chemicals and Fumigants	X	X	X	X	X	X	X	X
Liquid Fertilizers	X	X	X	X	X		X	X
Powdered Fertilizers	X	X	X	X	X	X	X	X
Fluid Transfer	X	X	X	X	X	X	X	X
Acids		X		X	X			X

Table 1

Flammable liquids, sewage, and potable water should never be pumped through a Hypro pump.

Tools


The Hypro centrifugal pumps and mounting assemblies are designed with Imperial (inch) bolts, however, there are many metric (mm) sizes which will work with these mounts. In most cases, an adjustable spanner wrench can also be used.

Lifting, Transport, and Intermediate Storage

Packaging Descriptions and Unpacking Instructions

- Hypro centrifugal pumps are shipped in cardboard boxes for safe transporting.
- When pumps are shipped in large quantities, they may be put on a pallet to allow for easy storage, lifting and handling.
- Before lifting any pump or pallet, determine the weight of the item by looking at the attached packing slips to establish what lifting equipment should be used.
- Before installing the pump, determine if all the components are present and undamaged. If the pump is missing components, contact customer service immediately.
- Once the pump is unpacked, dispose of the packaging in a manner compliant with local and national regulations.

Lifting Instructions

- Before attempting to lift a Hypro pump, ensure that the surrounding working area is free of hazards which could cause injury or damage to property.
- During lifting operations, any personnel not involved in the lift should not enter the working area.
- If lifting hooks, rope or chains are being used for a lift, they must be free of damage and be rated to carry 150% of the weight of the load to be lifted.
-  Always wear steel-toed shoes and cut-resistant gloves when attempting to lift.
- When lifting and carrying, always keep the pump close to your body. (See Figure 1)
- When starting the lift, bend your knees and keep your back straight. (See Figure 1) Tightening the stomach muscles will help keep your back straight.
- During the lift, use your legs to do the work. Never use your back and make sure your legs are at least shoulder-width apart. (See Figure 1)

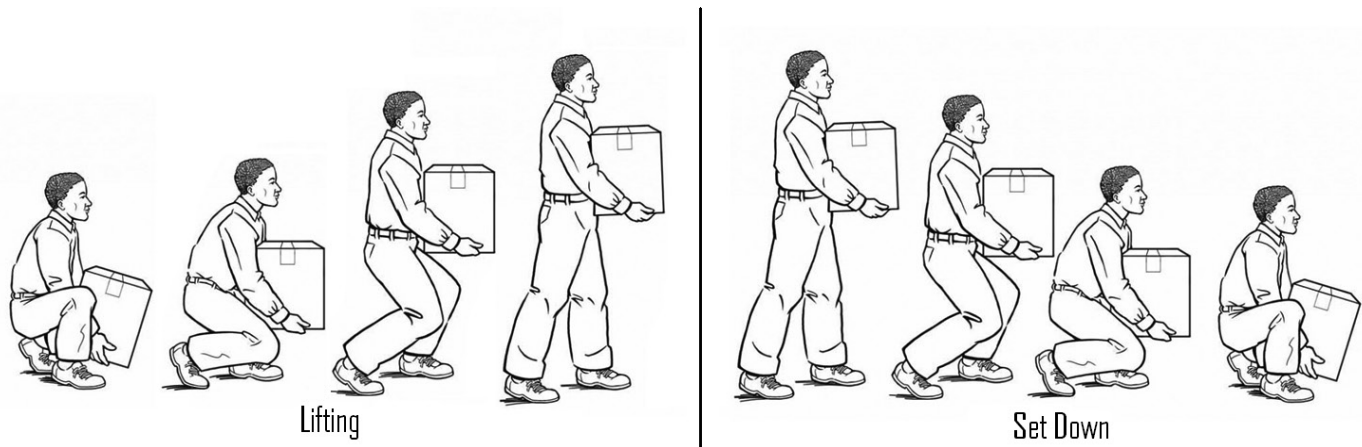


Figure 1

Transport

- All Hypro pumps are capable of being transported by air, sea, rail or motor vehicle. When the pump is shipped, ensure that the pump is moved in accordance with local and national laws and is properly secured to prevent unwanted movement which could cause damage to person or property. Prior to shipping, all fluids should be removed from the pump.

Storage

- New pumps in their boxes can be stored several years as long as the port plugs are not removed. Once the plugs have been removed, if the pump is not to be used for an extended period of time (i.e. more than 30 days), the pump must be winterized as described in the Cleaning section of this manual.

Assembly and Installation

Assembly

- This pump comes completely assembled.

Installation

Before attempting to install your Hypro centrifugal pump it is imperative to read and understand the following:

- **⚠** Installation of a Hypro pump should only be performed by a technician having the knowledge and skills necessary to install the pump without the risk of property damage or injury.
- **⚠** When handling Hypro pumps, one should wear steel-toed shoes and protective gloves in order to protect the feet in the event the pump is dropped and protect the hands from any sharp surfaces on the pump or chemicals.
- **⚠** Pumping systems must be installed in accordance with Hypro installation instructions. Failure to do so will void your warranty and could cause damage to property, serious personal injury, or death
- **⚠** It is the installer's responsibility to conduct electrical tests in accordance with EN60204-1:2006/A1:2009, or its superseding standard, on finished pump assemblies.
- All connections to electrical components must be number, symbol, or color-coded generally as recommended by EN60204-1:2006/A1:2009, or its superseding standard.
- **⚠** Installers must provide hydraulic components that are capable of withstanding maximum source pressure.
- **⚠** The working pressure must be controlled by a pressure relief valve that is adjusted to operate at a maximum pressure of the hydraulic motor.
- If a rigid plumbing system is to be used on a Hypro centrifugal pump, the system must be properly aligned with the inlet and outlet ports.

- **⚠** The working pressure in the hydraulics system must be controlled by a pressure relief valve that is adjusted to operate at 10% of the maximum system pressure.
- **⚠** When installing, adjusting or removing a Hypro centrifugal pump, ensure that there are no objects which can fall on the installer and make certain that all machinery to which the pump is to be attached is turned off.
- **⚠** Pumps must be installed in a location where they are accessible for any necessary maintenance.
- **⚠** When hydraulic power is used, the system should contain a quick disconnect coupling that can be disconnected to isolate the pump.

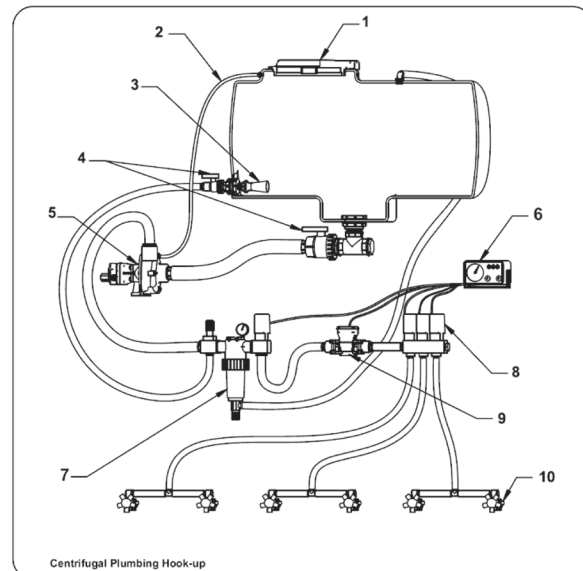
Standard Mounting

- In order to prevent injury or damage to property, all Hypro pumps should be properly mounted to a solid base where there is no danger of the pump falling or breaking loose. All Hypro pumps come with mounting holes which allow bolts to be put into the pump so it can be secured to a sturdy base. When mounting your Hypro centrifugal pump, be sure to use bolts and nuts which are compatible with any chemicals that may come into contact with them as well as choosing the correct grade of bolt based on the pump weight and any expected loads. Pumps should be mounted as close to the liquid source as possible. Non self-priming pumps must be mounted below the liquid level to function properly.

Pump Plumbing

- To achieve maximum pump performance, the outlet port on the pump should be pointing straight up, and pump inlet and outlet lines should be at least the same size as their respective port. Pump plumbing must be capable of withstanding the maximum suction, and pressure, generated by the pump and should have as few restrictions as possible.
- For best priming results, the upper most vent plug can be removed and a vent line can be installed. This line prevents air lock and allows the pump to prime itself by bleeding off trapped air.

Ref. No.	Description
1	Tank Lid
2	Vent Line
3	Jet Agitator
4	Shut-off Ball Valves
5	Centrifugal Pump
6	Spray Control Console
7	Centrifugal Pump Control
8	Manifold Boom Valve
9	Flowmeter
10	Jet Turret Nozzle Body



Hydraulic Installation

- When installing the hydraulic motor into the tractor or sprayer's hydraulic system, make sure that no dirt or liquid gets into the hydraulic motor.

KEEP ALL HYDRAULIC CONNECTIONS CLEAN.

- Ensure return line is connected to low pressure return port on the tractor recommended for hydraulic motors, the ports are identified on the motor casting. Hydraulic supply lines should be at least the same size as the hydraulic motor port or larger.
- Standard models come equipped with check valve port adapters that should not be removed.

Hooking up the motor in the wrong direction will damage the hydraulic seal.

• **Installing and Removing Metering Orifice**

Attention: For pumps equipped with HM2 and HM4 motors, the metering orifice should not be used if the hydraulic system is a load-sensing (flow-compensated) closed center system, or if it is an open center system with a maximum flow of 8 gpm [30.28 lpm] for HM2C or 10 gpm [37.85 lpm] for HM4C.

- Correct orifice size is determined by system performance. Start by installing the smallest orifice in the adapter connected to the pressure port. Once the orifice is installed, test system performance and if system performance is low, install the next largest orifice. Continue this process until pump performance reaches the desired level, or no orifices are installed in the adapter.

1) Ensure hydraulic system is off.

2) Remove the adapter from the motor using a 1-1/16" wrench. Make sure the O-ring is on the metering orifice before installing into port adapter.

3) The orifice is removed or installed in the port adapter by tapping either in or out of the adapter.

a) To remove, tap the orifice out from the small end of the adapter.

b) To install, tap the orifice in from the large end of the adapter. The orifice is seated when a snap sound is heard.

 For HM2 and HM4 motors, the pressure differential across the motor should never exceed 2500 PSI [172.4 BAR].










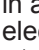

Control Systems

- All pump systems with electric or hydraulic power sources are required to have a control system which meets all local and national standards.
- For more detail on a typical system installation, see preceding subsections of the "Assembly and Installation" section of this manual.

Commissioning, Start-Up, Operation, Shutdown

Before attempting to start your pump, the following must be understood and followed to ensure safe operation.

Information

-  When running Hypro centrifugal pumps, it is essential that operators use hearing protection as the sound levels can reach levels of 80 decibels.
 -  When handling Hypro pumps, one should wear steel-toed shoes and protective gloves in order to protect the feet in the event the pump is dropped and protect the hands from any sharp surfaces on the pump or chemicals.
 -  Only authorized operators having the knowledge and skill necessary to safely use a Hypro pump, or any equipment the pump is connected to, may run the pump.
 -  When spraying manually, it is recommended that chemical-resistant face masks and clothing be worn to prevent any chemicals from coming into contact with the skin or being inhaled.
 -  When spraying manually, always spray upwind of yourself as long as the sprayed chemical will not drift into the vicinity of other people.
 -  When installing, adjusting or removing a Hypro centrifugal pump, ensure that there are no objects which can fall on the installer and make certain that all machinery to which the pump is to be attached is turned off.
 -  Hypro centrifugal pumps should only be used on tractors or tow-behind spray platforms which have electrically conductive tires in order to reduce the risk of electrocution.
 -  Never operate a Hypro centrifugal pump outside while there is a chance of getting struck by lightning.
 -  Never leave electrical wires or plumbing components where they can be a tripping hazard or become entangled in a moving component. Ideally, electrical cables, hoses, pipes and fittings should be routed overhead. In the event electrical wiring must be routed over the ground, operators are required to use rubber ramps if they cross a gangway.
 -  Hypro centrifugal pumps should not be used if the ambient light is below 200lux.
-  **Only use approved chemicals in your pump. For a complete list of approved chemicals, see the “Fluid Pumping Applications” section. Failure to follow this warning will void your warranty and could lead to property damage, serious injury or death.**

Start-up, Operation, Shutdown

Before Starting the Pump

- Ensure all unnecessary personnel are clear of the area.
- For initial setup and test of your system, it is recommended to start with clean water instead of chemicals, and confirm the system and plumbing connections are leak free.
- Ensure that there is fluid in the source tank or supply line. Do not run dry.
- Check line strainer for debris or clogs. Remove any found.
- Check all plumbing connections to make sure they are tight.
- Check power source and connections.
- Check that all valves and regulators are set to the desired setting and are functioning properly.
- Ensure all hoses are properly positioned and are not damaged in any way.

Priming the Pump

To help prime the pump, keep the inlet or suction line as short as possible with a minimum of bends, elbows and kinks. Make sure all connections are tight and do not leak air. Non self-priming pumps must have the inlet line and pump flooded with liquid before starting the pump. For self-priming models, the front chamber should be filled with liquid before starting.


Starting, Operation and Shutdown of the Pump (Hydraulic)

Open Center Systems - All Models

Adjusting Centrifugal Pump Output

ATTENTION HM1C, HM3C & HM5C motors have bypass screw fully closed from the factory. HM2C & HM4C motors have bypass screw set at 1-1/2 turns from fully closed from the factory.


1. Open the bypass adjustment screw 2-1/2 turns from fully closed and secure it in place with the bypass jam nut.
2. Start the tractor. Leave the directional valve in the neutral position and allow hydraulic oil to circulate for approximately 10 to 15 minutes or until adequately warmed.
3. Prime the centrifugal pump with all valves open. (See Priming the Pump.)
4. Refer to sprayer manufacturer's manual to set spraying pressure and flow. To change the flow or pressure generated by the pump, turn the bypass screw on the hydraulic motor. Be sure to secure the bypass jam nut after any adjustment.
5. To shutdown, return directional valve to neutral and allow the pump to come to a gradual stop.

 When bypassing hydraulic oil, a large amount of heat can be generated which will damage the tractor's hydraulic system. Be sure to monitor the oil temp when bypassing hydraulic oil.

Closed Center (Pressure-Compensated)

Adjusting Centrifugal Pump Output


1. Open the bypass adjusting screw in the hydraulic motor three (3) turns and secure it in place with the bypass jam nut.
2. Start the tractor and allow hydraulic oil to circulate for approximately 10 to 15 minutes or until adequately warmed
3. Close and lock down the bypass adjusting screw in the hydraulic motor.
4. Prime the centrifugal pump with all valves open. (See Priming the Pump.)
5. Refer to sprayer manufacturer's manual to set spraying pressure and flow. To change the flow or pressure generated by the pump, slowly adjust tractor's flow control valve.
6. To shutdown, the pump move the selector for the tractor spool valve to the float position and allow the pump to come to a gradual stop.

 If the pump is not brought to a gradual stop, the sudden change in hydraulic pressure and pump RPM could cause damage to the pump's drive system.

Closed Center (Load-Sensing) Systems




Adjusting Centrifugal Pump Output

1. Close and lock down the bypass adjusting screw in the hydraulic motor.
2. Set the tractor hydraulic flow control valve for minimum hydraulic oil flow to the remote outlet (Tortoise position).
3. Start the tractor and allow the hydraulic oil to circulate for approximately 10 to 15 minutes or until adequately warmed.
4. Prime the centrifugal pump with all valves open. (See Priming the Pump.)
5. Refer to sprayer manufacturer's manual to set spraying pressure and flow. To change the flow or pressure generated by the pump, slowly adjust tractor's flow control valve.
6. To shutdown the pump, move the selector for the tractor spool valve to the float position and allow the pump to come to a gradual stop.

 If the pump is not brought to a gradual stop, the sudden change in hydraulic pressure and pump RPM could cause damage to the pump's drive system.

Maintenance and Servicing

Information

- All maintenance should be done when machinery is stationary and has been isolated from its energy sources. It is dangerous to perform maintenance while machinery is still connected to its power source. Machinery should be isolated from its electrical, hydraulic or gas engine power source.
-  Be sure to release all pressure from the system before performing any sort of maintenance on a Hypro pump.
-  DO NOT perform service or maintenance to the pump, or attached components, until the pump unit is below 109°F(43°C).
- The lubrication of this pump unit has been done at the factory prior to shipping.
-  When handling Hypro pumps, one should wear steel-toed shoes and protective gloves in order to protect the feet in the event the pump is dropped and protect the hands from any sharp surfaces on the pump or chemicals. If the pump is being repaired while the pump is in service, eye protection should also be worn.

Any hazardous liquids should be disposed of in a manner which complies with local and national regulations. Never dump fluids onto the ground.

Disposal

When disposing of a Hypro pump, be sure to remove all fluids from the pump before scrapping. These fluids should be disposed of in a manner which complies with local and national regulations. Never dump fluids onto the ground. Once the pump is free of all fluids, it may be scrapped in accordance with local and national laws.

Cleaning

Your pump will last longer and give best performance when properly taken care of. Proper pump care depends on the liquid being pumped and when the pump will be used again. After each use, flush pump with a neutralizing solution for the liquid just pumped. Follow with a clean water rinse. This is especially important for corrosive chemicals. It is good practice to clean the pump after each use to prevent deposits from forming and damaging the pump. For infrequent use and before long periods of storage, drain pump thoroughly. Open any drain plugs, remove suction hose from liquid, and blow pump dry with air. An antifreeze/rust inhibitor should be injected into the pump before both ports are plugged and the pump is stored. Plug all ports to keep out air until pump is used again.

Maintenance, Routine Servicing, and Inspection

PREVENTATIVE MAINTENANCE CHECKLIST

Check	Daily	Weekly
Water Leaks	X	
Plumbing		X

- Each system's maintenance cycle will be exclusive. If system performance decreases, check immediately.
- Duty cycle, temperature, quality, type of fluid being pumped, and inlet feed conditions all affect the life of spray boom assemblies and service cycle.

Troubleshooting

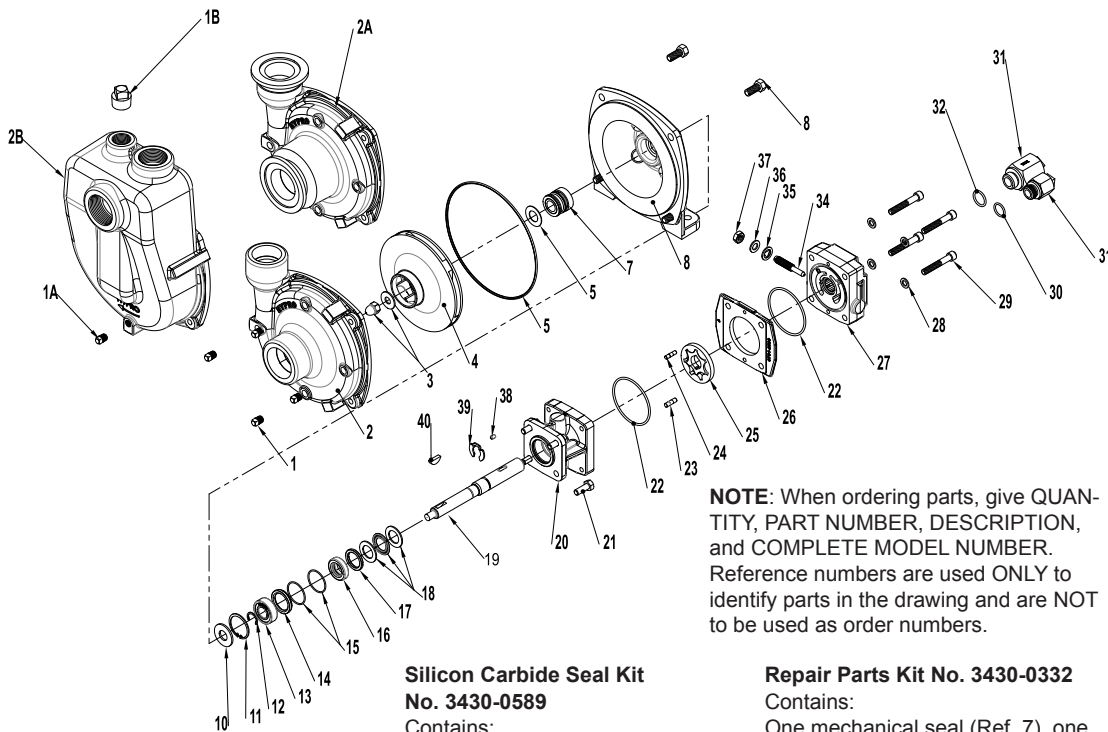
Before attempting to service your pump, be sure that it is disconnected from all energy sources.

Symptom	Probable Cause(s)	Corrective Action
<i>Pump does not prime</i>	Leak in suction line	Check hose and fittings for leaks and correct
	Obstruction in suction line	Inspect hose for obstructions and remove
	Suction hose stuck to tank	Cut a notch or "V" in end of suction hose
	Clogged strainer	Check strainer and clean regularly
<i>Low discharge</i>	Pump rotates incorrectly	Correct rotation of pump
	Blocked suction hose	Inspect suction hose and repair as necessary
	Pump worn	Repair pump
	Undersized suction line	See Installation
<i>Pump will not turn</i>	Impeller plugged	Inspect and clear obstruction
<i>Hydraulic system overheating</i>	Hydraulic bypass needs adjustment	See Installation
	Insufficient hydraulic hose size	See Installation

Table 2

Replacement Parts

The following drawings show the pumps and their replacement parts. **Only genuine replacement parts should be used. Failure to follow this warning can result in damage to property, serious injury or death.** If the pump malfunctions or is defective, it should be sent back to Hypro for service.



**Silicon Carbide Seal Kit
No. 3430-0589**

Contains:
Mechanical seal (Ref. 7) and o-ring (Ref. 5).

NOTE: When ordering parts, give QUANTITY, PART NUMBER, DESCRIPTION, and COMPLETE MODEL NUMBER. Reference numbers are used ONLY to identify parts in the drawing and are NOT to be used as order numbers.

Repair Parts Kit No. 3430-0332

Contains:
One mechanical seal (Ref. 7), one o-ring (Ref. 5) and one rubber gasket (Ref. 6).

**9303C(S)-HM1C, 2, 3, 4,
5 & -U and 9303C(S)-SP-
HM1, 2, 3, 4, 5**

Adapter Kit No. 3430-0187 (HM2 and HM4 Modes Only) Contains one each:

- No. 3373-0020 (Size #1)
- No. 3373-0021 (Size #2)
- No. 3373-0022 (Size #3)
- No. 1720-0108 Adapter O-ring and
- No. 1720-0105 Orifice O-ring

SP Chamber Kit No. 3430-0480SP

Contains: One chamber with wear ring. (Ref. 2) one o-ring (Ref. 5), one drain vent plug (Ref. 1) and one vent plug (Ref. 1A).

Parts Kit No. 3430-0748

Contains: One each ball bearing (Ref. 13), motor shaft seal (Ref. 16), thread seal gasket (Ref. 35), two cartridge o-rings (Ref. 15), and washer (Ref 36); two each motor housing o-rings (Ref. 22), and port adapter o-rings (Ref. 30 & 32).

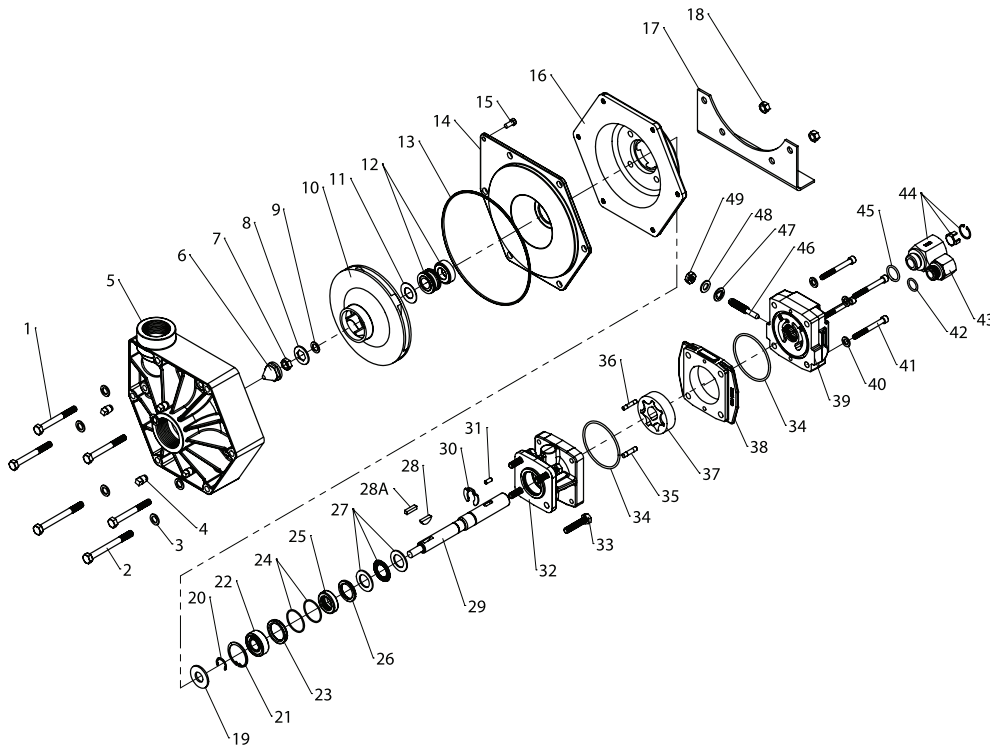
Hydraulic Motor Part Nos.
2500-0081C (HM1C Models)
2500-0082C (HM2C Models)
2500-0083C (HM3C Models)
2500-0084C (HM4C Models)
2500-0085C (HM5C Models)

Ref. No.	Qty. Req'd.	Part No.	Description	Ref. No.	Qty. Req'd.	Part No.	Description
1	4	2406-0007	Drain/Vent Plug (9303C)	23	1	1600-0045	Dowel Pin (HM2C / HM4C)
1	4	2406-0016	Drain/Vent Plug (9303S)	23	1	1600-0044	Dowel Pin (HM1C/HM5C)
1A	4	2406-0007	Drain/Vent Plug	23	1	1600-0052	Dowel Pin (HM3C)
1B	4	2406-0001	Vent Plug	24	1	1600-0042	Dowel Pin (HM2C / HM4C)
2	1	0150-9000C	Pump Casing (Model 9303C)	24	1	1600-0037	Dowel Pin (HM1C/HM5C)
2	1	0150-9000S	Pump Casing (Model 9303S)	24	1	1600-0068	Dowel Pin (HM3C)
2A	1	0153-9000C	Pump Casing (Universal Flange Model C-U)	25	1	3900-0022	Gerotor (HM1C)
2A	1	0153-9000S	Pump Casing (Universal Flange Model S-U)	25	1	3900-0023	Gerotor (HM2C)
2B	1	0150-9070CM	Pump Casing	25	1	3900-0024	Gerotor (HM3C)
3	1	3430-0825	Impeller Nut (9303C)	25	1	3900-0025	Gerotor (HM4C)
3	1	3430-0825	Impeller Nut (9303S)	25	1	3900-0048	Gerotor (HM5C)
4	1	0401-9100P	Impeller (Nylon Std. 9303C)	26	1	0701-2500C1	Gerotor Housing (HM2C Models) 1/4" wide
4	1	0402-9100P	Impeller (Polypropylene Optional) (Std 9303S)	26	1	0700-2500C1	Gerotor Housing (HM1C Models) 1/2" wide
5	1	1720-0083	O-ring	26	1	0703-2500C1	Gerotor Housing (HM4C Models) 5/16" wide
6	1	1700-0100	Gasket	26	1	0702-2500C1	Gerotor Housing (HM3C Models) 1" wide
7	1	2120-0009	Mechanical Seal (Viton/Ceramic) (Std 9303C)	26	1	0704-2500C1	Gerotor Housing (HM5C Models) 5/8" wide
7	1	3430-0589	Mechanical Seal (Silicon Carbide) (Std 9303S)	27	1	0254-2500C2	Motor End Plate (includes needle bearing)
8	1	0750-9300C	Mounting Flange (9303C)	28	4	2270-0039	Washer
8	1	0756-9300S	Mounting Flange (9303S)	29	4	2220-0045	Cap Screw (HM2C / HM4C Models)
9	4	2210-0020	Hex Head Cap Screw (9303C)	29	4	2220-0021	Cap Screw (HM1C Models)
9	4	2210-0125	Hex Head Cap Screw (9303S)	29	4	2220-0044	Cap Screw (HM3C Models)
10	1	1410-0056	Slinger Ring	29	4	2220-0032	Cap Screw (HM5C Models)
11	1	1810-0014	Snap Ring	30	1	1720-0108	O-ring
12	1	1820-0013	Retaining Ring	31	1	3360-0021A	Pressure Port Adapter (includes o-ring)
13	1	2000-0010	Ball Bearing	32	1	1720-0262	O-ring
14	1	1410-0131	Cartridge, Front	33	1	3320-0051A	Tank Port Adapter (includes o-ring)
15	2	1720-0268	O-ring	34	1	3220-0029	Bypass Adjusting Screw
16	1	3430-0748	Lip Seal	35	1	1700-0047	Gasket
17	1	1410-0130	Seal Spacer	36	1	2270-0027	Washer
18	1	2029-0014	Thrust Bearing Assembly	37	1	2250-0038	Lock Nut
19	1	3430-0850	Shaft (HM2C/HM4C)	38	1	1610-0032	Roll Pin (HM2C / HM4C)
19	1	3430-0852	Shaft (HM1C/HM5C)	38	1	1610-0031	Roll Pin (HM1C / HM5C)
19	1	3430-0855	Shaft (HM3C)	38	1	1610-0055	Roll Pin (HM3C)
20	1	0150-2500C	Motor Body (includes needle bearing)	39	1	1810-0026	Snap Ring
21	4	2210-0005	Hex Head Cap Screw	40	1	1610-0012	Woodruff Key (9303C)
22	2	1720-0110	O-ring	40	1	04432	Woodruff Key (9303S)

Replacement Parts

The following drawings show the pumps and their replacement parts. **Only genuine replacement parts should be used. Failure to follow this warning can result in damage to property, serious injury or death.** If the pump malfunctions or is defective, it should be sent back to Hypro for service.

9303P



Silicon Seal Parts Kit # 3430-0593

Contains one each:
mechanical seal (Ref. 12) and o-ring (Ref. 13).

Repair Parts Kit No. 3430-0445

Contains: One o-ring (Ref. 13), one rubber gasket (Ref. 11), one mechanical seal (Ref. 12), one gasket (Ref. 8) and one washer (Ref. 9).

Hydraulic Motor Part Nos.

- 2500-0181C (HM1C Models)
- 2500-0182C (HM2C Models)
- 2500-0183C (HM3C Models)
- 2500-0184C (HM4C Models)
- 2500-0185C (HM5C Models)

Adapter Kit No. 3430-0187 (HM2 and HM4 Models Only):

- Contains one each:
No. 3360-0021 Pressure Port Adapter
No. 3373-0020 (Size #1)
No. 3373-0021 (Size #2)
No. 3373-0022 (Size #3)
No. 1720-0108 Adapter O-ring
No. 1720-0105 Orifice O-ring (Qty. 3).

NOTE: When ordering parts, give QUANTITY, PART NUMBER, DESCRIPTION, and COMPLETE MODEL NUMBER. Reference number are used ONLY to identify part in the drawing and are NOT to be used as order numbers.

Parts Kit No. 3430-0748

Contains: One each ball bearing (Ref. 22), motor shaft seal (Ref. 25), thread seal gasket (Ref. 47), two cartridge o-rings (Ref. 24) and washer (Ref. 48); two each motor housing o-rings (Ref. 34), and port adapter o-rings (Ref. 42 & 45).

1	4	2210-0087	Hex Head Cap Screw
2	2	2210-0016	Hex Head Cap Screw (Base Only)
3	6	2270-0041	Washer
4	4	2406-0020	Pipe Plug
5	1	0700-9000P	Pump Casing
6	1	2250-0052	Impeller Nut
7	1	2250-0051	Jam Nut
8	1	1700-0097	Gasket (Viton)
9	1	2270-0057	Washer
10	1	0402-9100P	Impeller
11	1	1700-0100	Rubber Gasket
12	1	2120-0009	Mechanical Seal (Viton/Ceramic) (Std 9303P)
12	1	3430-0593	Mechanical Seal (Silicon Carbide) (Optional)
13	1	1721-0083	O-ring
14	1	0750-9300P	Cover
15	1	2210-0088	Screw
16	1	0750-9006C	Intermediate Flange
17	1	1510-0063	Base Plate
18	2	2250-0008	Hex Nut
19	1	1410-0056	Slinger Ring
20	1	1810-0014	Snap Ring
21	1	1820-0013	Retaining Ring
22	1	2000-0010	Ball Bearing
23	1	1410-0131	Cartridge, Front
24	2	1720-0268	O-ring
25	1	2104-0010	Lip Seal
26	1	1410-0130	Seal Spacer
27	1	2029-0014	Thrust Bearing Assembly
28	1	1610-0042	Woodruff Key (9303P all except HM3C)
28A	1	1610-0053	Square Key (9303P-HM3C Only)
29	1	3430-0850	Shaft (HM2C/HM4C)
29	1	3430-0852	Shaft (HM1C/HM5C)
29	1	3430-0855	Shaft (HM3C)
30	1	1810-0026	Snap Ring
31	1	1610-0032	Roll Pin (HM2C / HM4C)

31	1	1610-0031	Roll Pin (HM1C / HM5C)
31	1	1610-0055	Roll Pin (HM3C)
32	1	0150-2500C	Motor Body (includes needle bearing)
33	4	2210-0021	Hex Head Cap Screw
34	2	1720-0110	O-ring
35	1	1600-0045	Dowel Pin (HM2C / HM4C)
35	1	1600-0044	Dowel Pin (HM1C/HM5C)
35	1	1600-0052	Dowel Pin (HM3C)
36	1	1600-0068	Dowel Pin (HM3C)
36	1	1600-0042	Dowel Pin (HM2C/ HM4C)
36	1	1600-0037	Dowel Pin (HM1C/HM5C)
37	1	3900-0022	Gerotor (HM1C)
37	1	3900-0023	Gerotor (HM2C)
37	1	3900-0024	Gerotor (HM3C)
37	1	3900-0025	Gerotor (HM4C)
37	1	3900-0048	Gerotor (HM5C)
38	1	0701-2500C1	Gerotor Housing (HM2C Models) 1/4" wide
38	1	0700-2500C1	Gerotor Housing (HM1C Models) 1/2" wide
38	1	0703-2500C1	Gerotor Housing (HM4C Models) 5/16" wide
38	1	0702-2500C1	Gerotor Housing (HM3C Models) 1" wide
38	1	0704-2500C1	Gerotor Housing (HM5C Models) 5/8" wide
39	1	0254-2500C2	Motor End Plate (includes needle bearing)
40	4	2270-0039	Washer
41	4	2220-0032	Cap Screw (HM5C Models)
41	4	2220-0045	Cap Screw (HM2C / HM4C Models)
41	4	2220-0021	Cap Screw (HM1C Models)
41	4	2220-0044	Cap Screw (HM3C Models)
42	1	1720-0108	O-ring
43	1	3360-0021A	Pressure Port Adapter (includes o-ring)
44	1	3320-0051A	Tank Port Adapter (includes o-ring)
45	1	1720-0262	O-ring
46	1	3220-0029	Bypass Adjusting Screw
47	1	1700-0047	Gasket
48	1	2270-0027	Washer
49	1	2250-0038	Lock Nut

Notes

EC Declaration of Incorporation

Manufacturer's Name: Pentair Flow Technologies, LLC
Manufacturer's Address: 375 Fifth Avenue NW,
 New Brighton, MN 55112, USA

Declare that the partially complete machinery described below conforms to applicable health and safety requirements of Parts 1 of Annex I of Machinery Directive 2006/42/EC. This partly completed machinery must not be put into service until the equipment into which it is to be incorporated has been declared in conformity with the provisions of this directive. Confidential technical documentation has been compiled as described in Annex VII Part B of Machinery Directive 2006/42/EC and is available to European national authorities on written request. If a request is received, documentation will be transmitted either electronically or by post. Clauses 1.1.4, 1.1.7, 1.1.8 Section 1.2, Clauses 1.3.5, 1.3.6, 1.3.7, 1.3.8.1, 1.3.8.2, 1.3.9, 1.4.1, 1.4.2.1, 1.4.2.2, 1.4.2.3, 1.4.3, 1.5.2, 1.5.7, 1.5.12, 1.5.14, 1.5.16, 1.6.2, 1.7.1.1, 1.7.1.2, 1.7.2, and 1.7.4.2 are clauses of Machinery Directive 2006/42/EC that have not been met, but could be applicable and must be addressed during installation by a third party.

Description: PENTAIR Pump

Type: Roller Pumps

Series Numbers: 1502, 1700, 4001, 4101, 6500, 7560, 7700

Type: Centrifugal Pumps

Series Numbers: 1442P, 9000, 9202, 9203, 9205, 9206, 9208, 9262, 9263, 9253, 9302, 9303, 9305, 9306, 9307, 9308

The following standards have either been referred to or been complied with in part or in full as relevant:

ENISO 12100	Machinery Safety	General principles for design - Risk assessment and risk reduction
EN809-1998 + A1 2009	Machinery Safety	Pumps and pump units for liquids - Common safety requirements
EN ISO 13732-1	Machinery Safety	Ergonomics of the thermal environment
EN ISO 3744:2010	Acoustics	Determination of sound power levels and sound energy levels of noise sources using sound pressure
EN ISO 11202/A1 1997	Machinery Safety	Noise emitted by machinery and equipment
EN 12162:2001+A1:2009	Machinery Safety	Liquid pumps - Safety requirements - Procedure for hydrostatic testing
EN ISO 4254-6:2009	Machinery Safety	Sprayers and liquid fertilizer distributors
97-68-EC + 2010/26/EU	Gas Emission	Non-road gas emissions

Name **Position**

Signature **Date**

Place of Signing.....

EC	REP
----	-----

QNET BV
 Hommerterweg 286
 6436 AM Amstenrade
 The Netherlands

Limited Warranty on Hypro/Shurflo Agricultural Pumps & Accessories

Hypro/Shurflo (hereafter, "Hypro") agricultural products are warranted to be free of defects in material and workmanship under normal use for the time periods listed below, with proof of purchase.

- Pumps: one (1) year from the date of manufacture, or one (1) year of use. This limited warranty will not exceed two (2) years, in any event.
- Accessories: ninety (90) days of use.

This limited warranty will not apply to products that were improperly installed, misapplied, damaged, altered, or incompatible with fluids or components not manufactured by Hypro. All warranty considerations are governed by Hypro's written return policy.

Hypro's obligation under this limited warranty policy is limited to the repair or replacement of the product. All returns will be tested per Hypro's factory criteria. Products found not defective (under the terms of this limited warranty) are subject to charges paid by the returnee for the testing and packaging of "tested good" non-warranty returns.

No credit or labor allowances will be given for products returned as defective. Warranty replacement will be shipped on a freight allowed basis. Hypro reserves the right to choose the method of transportation.

This limited warranty is in lieu of all other warranties, expressed or implied, and no other person is authorized to give any other warranty or assume obligation or liability on Hypro's behalf. Hypro shall not be liable for any labor, damage or other expense, nor shall Hypro be liable for any indirect, incidental or consequential damages of any kind incurred by the reason of the use or sale of any defective product. This limited warranty covers agricultural products distributed within the United States of America. Other world market areas should consult with the actual distributor for any deviation from this document.

Return Procedures

All products must be flushed of any chemical (ref. OSHA section 1910.1200 (d) (e) (f) (g) (h)) and hazardous chemicals must be labeled/tagged before being shipped* to Hypro for service or warranty consideration. Hypro reserves the right to request a Material Safety Data Sheet from the returnee for any pump/product it deems necessary. Hypro reserves the right to "disposition as scrap" products returned which contain unknown fluids. Hypro reserves the right to charge the returnee for any and all costs incurred for chemical testing, and proper disposal of components containing unknown fluids. Hypro requests this in order to protect the environment and personnel from the hazards of handling unknown fluids.

Be prepared to give Hypro full details of the problem, including the model number, date of purchase, and from whom you purchased your product. Hypro may request additional information, and may require a sketch to illustrate the problem.

Contact Hypro Service Department at 800-468-3428 to receive a Return Merchandise Authorization number (RMA#). Returns are to be shipped with the RMA number clearly marked on the outside of the package. Hypro shall not be liable for freight damage incurred during shipping. Please package all returns carefully. All products returned for warranty work should be sent **shipping charges prepaid** to:

HYPRO / PENTAIR
Attention: Service Department
375 Fifth Avenue NW
New Brighton, MN 55112

For technical or application assistance, call the **Hypro Technical/Application number: 800-445-8360**, or send an email to: **technical@hypropumps.com**. To obtain service or warranty assistance, call the **Hypro Service and Warranty number: 800-468-3428**; or send a fax to the **Hypro Service and Warranty FAX: 651-766-6618**.

*Carriers, including U.S.P.S., airlines, UPS, ground freight, etc., require specific identification of any hazardous material being shipped. Failure to do so may result in a substantial fine and/or prison term. Check with your shipping company for specific instructions.

Visit www.hypropumps.com/register today to register your product and stay up-to-date on new products and promotional offers.

The following information is required:

Model # _____ Serial # _____